

CONSTRUCTION FEATURES

SHELL AND LINING: Welded shell of 3/16" plate. Lining 2600' semi-insulating firebrick backed with heat insulating block.

COMBUSTION EQUIPMENT: Certified Nozzle Mix burner with manual ignition pilot burner.

COMBUSTION SAFETY EQUIPMENT: Manual safety shut off valve with F.M. test cock, high and low pressure gas pressure switches and low pressure air switch, conforming to F.I.A. or F.M. standards.

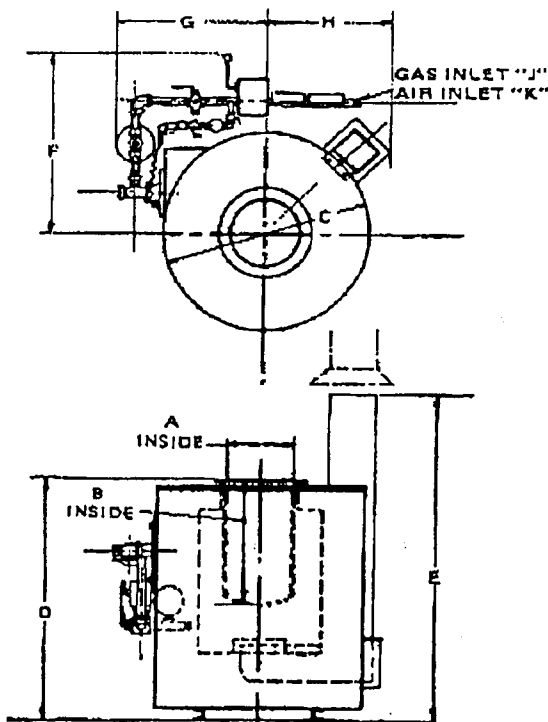
CONTROL EQUIPMENT: Adjustable port air control valve with motorized air valve for high-low control.

THERMOCOUPLE: Angle type chromel-alumel with Inconel or other similar alloy protection tube.

TEMPERATURE CONTROL INSTRUMENT: Furnished as an extra, either indicating or recording type as required. Instrument panel either wall or floor mounted, also an extra, when requested.

POTS: Upton fabricated alloy recommended. Inconel for neutral salts, incoloy for carburizing

(Prices on request)



DIMENSIONS - INCHES										APPROX. WT. SALT TO FILL *	APPROX. PRODUCTION PER HOUR 1600° F
A	B	C	D	E	F	G	H	J	K		
12	18	38	39	57	34	28	23	1	2	95 lbs.	30-40 lbs.
12	24	38	45	63	34	28	23	1	2	135 lbs.	45-60 lbs.
14	18	40	39	57	35	31	24	1	2	125 lbs.	40-55 lbs.
14	24	40	45	63	35	31	24	1	2	180 lbs.	60-80 lbs.
16	18	42	39	57	36	32	25	1 1/4	2	165 lbs.	55-75 lbs.
16	24	42	45	63	36	32	25	1 1/4	2	235 lbs.	80-105 lbs.
18	18	44	39	57	37	33	26	1 1/4	2	210 lbs.	70-90 lbs.
18	24	44	45	63	37	33	26	1 1/4	2	300 lbs.	100-130 lbs.
20	20	46	41	59	38	34	34	1 1/4	2 1/2	300 lbs.	100-130 lbs.
20	24	46	45	63	38	34	34	1 1/4	2 1/2	365 lbs.	120-160 lbs.
24	24	50	45	63	40	36	36	1 1/4	2 1/2	525 lbs.	175-220 lbs.

*Based on 100 lbs. per cu. ft.

Electric pots for laboratory use are available in smaller sizes.



INDUSTRIES INCORPORATED • Electric Furnace Division