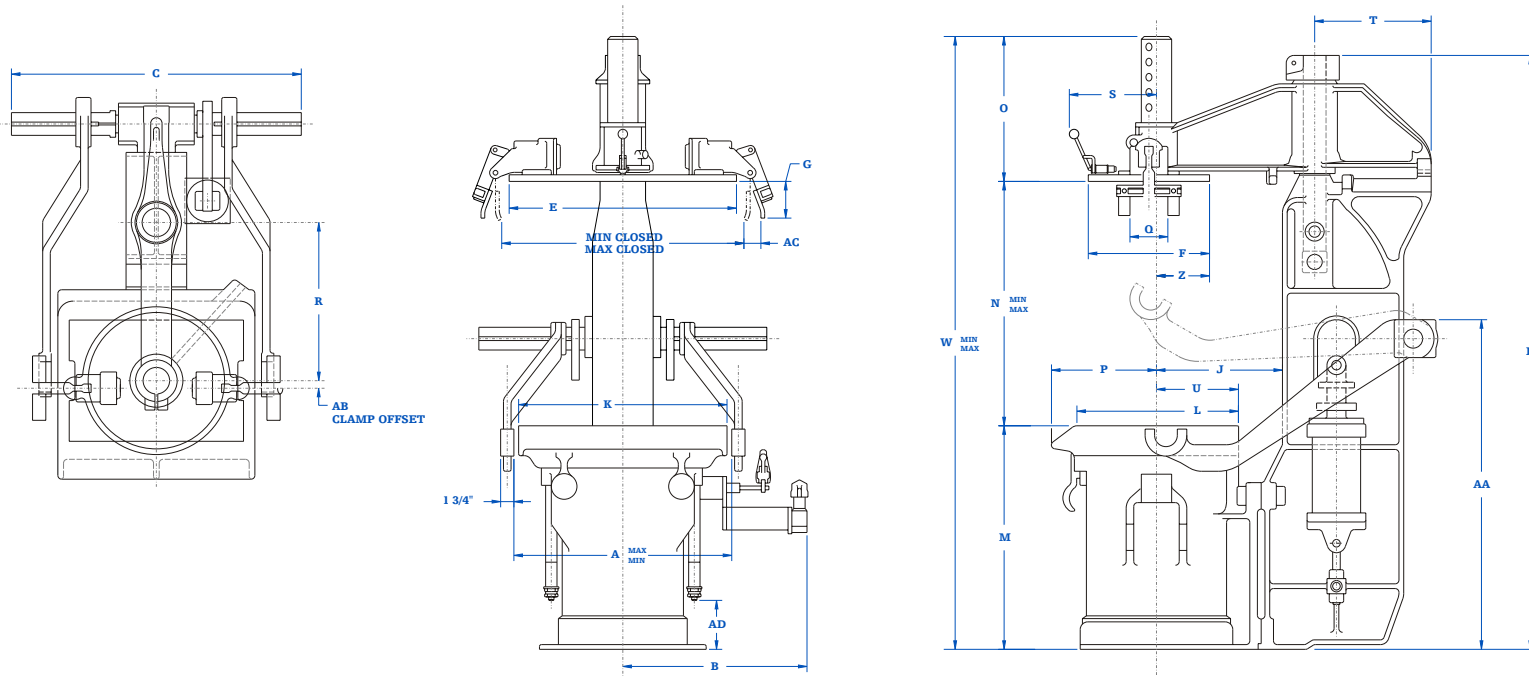


EMI **3161 / 3191** Molding Machines  
**Ram-Jolt Squeeze Molding Machines**

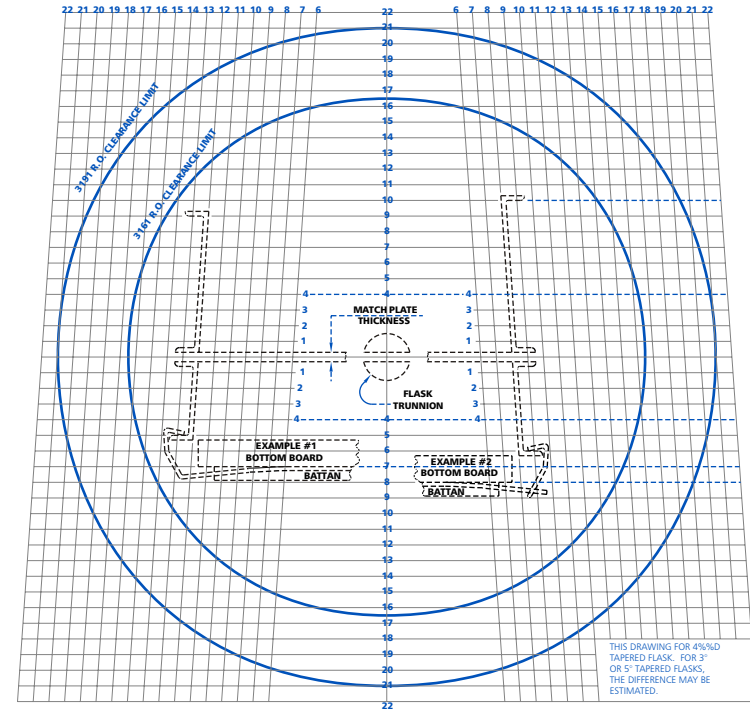
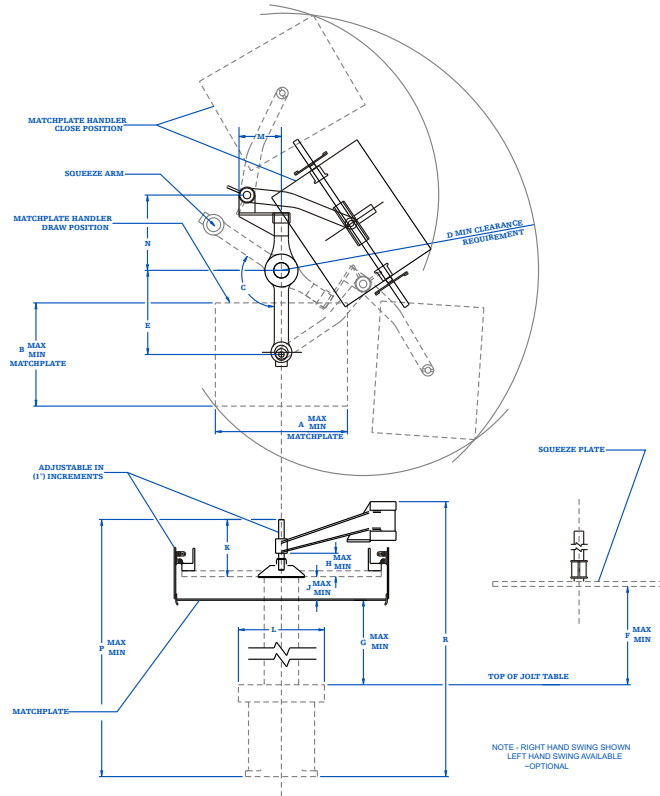


	A <sub>Min</sub>	A <sub>Max</sub>	B	C	D <sub>Min</sub>	D <sub>Max</sub>	E	F	G	H	J	K	L	M	N <sub>Min</sub>	N <sub>Max</sub>	O
<b>3161 RJW</b>	28.00"	40.38	27.50	38.25	20.50	30.25	23.00	16.00	3.88	78.38	15.38	27.50	29.63	29.50	20.50	31.50	19.25
<b>3191 RJW</b>	30.50"	55.00	28.00	52.00	21.50	46.00	40.00	21.00	8.25	94.00	23.50	30.00	38.00	32.00	28.00	40.00	24.50
	P	Q	R	S	T	U	W <sub>Min</sub>	W <sub>Max</sub>	X	Y	Z	AA	AB	AC	AD		
<b>3161 RJW</b>	17.00	5.00	20.88	11.50	16.50	12.00	69.25	80.25	17.81	16.63	7.00	44.19	1.00	4.00	5.00		
<b>3191 RJW</b>	19.00	7.00	28.50	11.75	20.00	19.00	84.50	96.50	21.50	21.00	9.75	43.00	0.73	5.88	7.23		



Osborn • SPO • Sutter

EMI 3161 / 3191 Molding Machines  
**3161 RJW/3191RJW matchplate handler  
 rolover clearance chart**



A <sub>Min</sub>	A <sub>Max</sub>	B <sub>Min</sub>	B <sub>Max</sub>	C	D	E	F <sub>Min</sub>	F <sub>Max</sub>	G <sub>Min</sub>	G <sub>Max</sub>	H <sub>Min</sub>	H <sub>Max</sub>	J <sub>Min</sub>	J <sub>Max</sub>	K	L	M	N	P <sub>Min</sub>	P <sub>Max</sub>	R
26.00"	59.00	36.00	124.00	93.00	29.25	28.00	40.00	19.44	33.44	7.631	4.63	9.44	16.44	19.88	30.00	15.00	26.25	87.75	94.75	100.75	