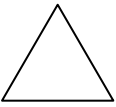
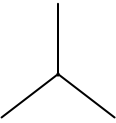


LF1 Transformer

- Make: Kitashiba
- S/No: 08000073
- Rating: 20,000/22,400 KVA
- Freq: 50Hz
- Phase: 3
- Rated Voltage
Pri: 22,000kV
Sec: 365V
- Standard: JEC-168(1966)
- Cooling: OFWF
- Impedance Voltage: 4.67% at 20,000KVA

HV Winding Connection						LV Winding Connection			
Terminal	Voltage (V)	Line current at 20,000KVA (A)	No Voltage Tap Changer			Delta-Wye Connection	Terminal ABC	Voltage (V)	Current (A)
			Taps Position	Connects on each phase					
H ₁ H ₂ H ₃	22,000	525	A	7 to 1	 1 to D	 1 to S	R365	31,600	
		525	B	7 to 2			F345	33,500	
		525	C	7 to 3			F325	35,500	
		496	D	7 to 4			307	35,500	
		460	E	7 to 5			285	35,500	
		428	F	7 to 6			265	35,500	
		303	G	7 to 1	211		31,600		
		303	H	7 to 2	199		33,500		
		303	J	7 to 3	188		35,500		
		286	K	7 to 4	177		35,500		
		266	L	7 to 5	165		35,500		
		247	M	7 to 6	153		35,500		